



1. APPLICATION

The manual valve (fig 2.1) is a valve that activates system manually by spinning valve on opposite of clockwise and you may off system by spinning onto valve clockwise..

2. INSTALLATION

Manual valve comes assamblend on required cylinders in usually release station however, depends on to the Project maybe use at CO2 room.

Always comes installed.

Be sure that there is not damaged on manual valve.

End user is responsible for applying all safety precautions.

Don not tightem by hand. Never spin by holding casing.

Use a spanner while mounting/dismounting.

See fig 2.2 for installed manual valve.

3. TECHNICAL PROPERTIES

Please see Table 3.1 below for thread specifications;

25EW21.8 DIN 477 -1/6 THREAD SPECIFICATIONS	
GAS INLET	25E
GAS OUTLET	W21.8X1/6
MEDIUM	CO2

Table 3.1 : Thread Specifications

4. MAINTANANCE

If manual valve is found to be in a poor condition, (rusty, damaged, etc.), please contact manufacturer or recognised service company.

Annual inspections it is recommended that this is performed by persons specially trained in the maintenance of such systems, e.g. manufacturer or recognised service company.

Full maintenance should be performed by persons specially trained in the maintenance of such systems, e.g. manufacturer or recognised service company.

5. DIMENSIONS & TECHNICAL DRAWINGS

Please see following page for dimensions and technical drawing



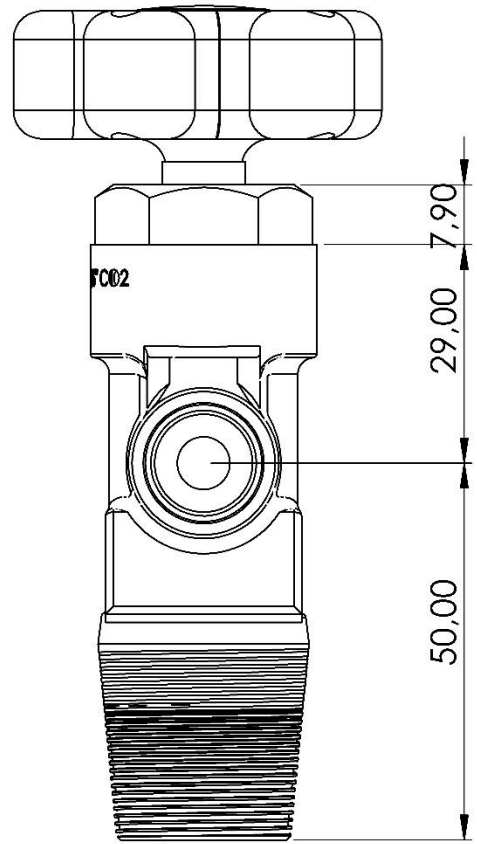
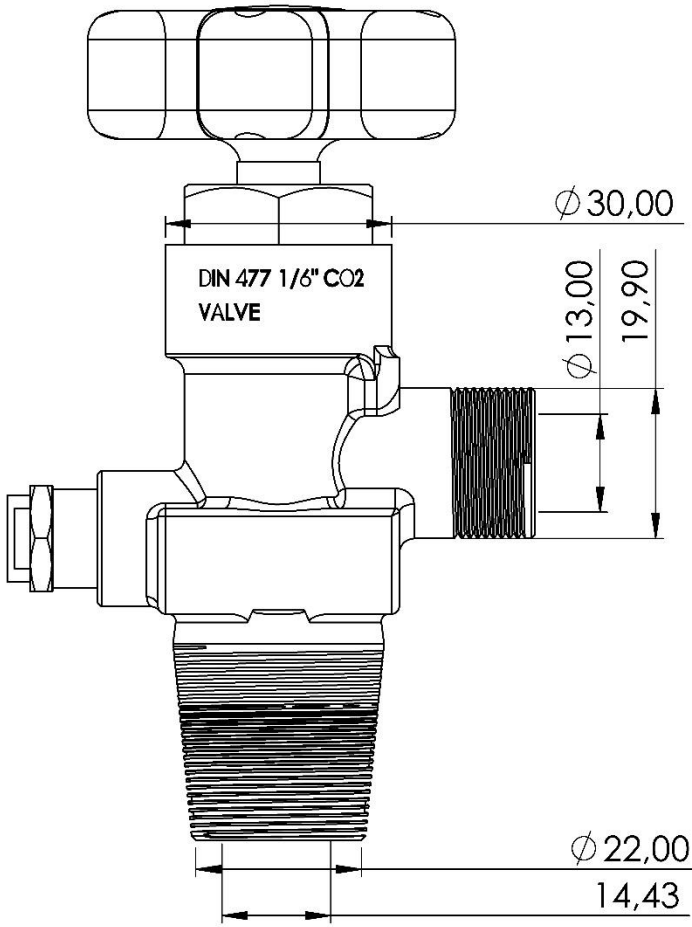
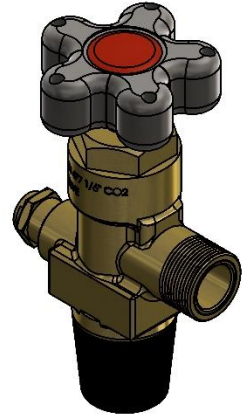
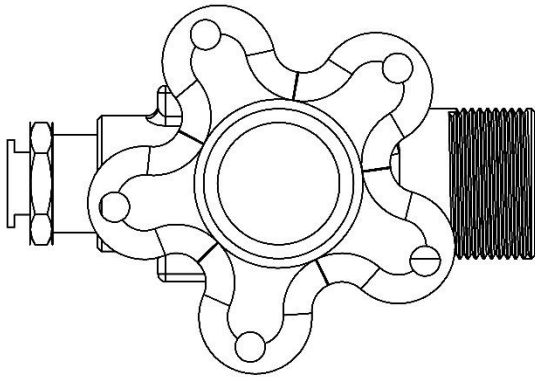
Figure 2.1



Figure 2.2


3/8" VALVE

MANUAL VALVE



COMMENT: Manual valve comes fastened on related cylinder. Please see Datasheet AL20-40015Rev00 for more detail. BSPT (British Standard Pipe Tapered)

NOTE: ALL DIMENSIONS ARE GIVEN AS MILLIMETERS
25E W21.8 DIN477-1/6 CO2

DRAWING NO:	POS. NO. 5_4	PRODUCT NO: AL20-40069	DATASHEET: AL20-40069Sept20-Rev00	PAGE A4
DESIGNED BY: ALİ ARMAĞAN	CHEKED BY: ÇAĞLAR LATİFOĞLU	APPROVED BY: ERDİNÇ LATİFOĞLU	DATE: 09/09/2020	SCALE: 1:1
		PROJECT / PRODUCT: MANUAL VALVE		
		WEIGHT: 0.8KG	MATERIAL: BRASS	REVISION: Sep20-Rev00
				SHEET 1