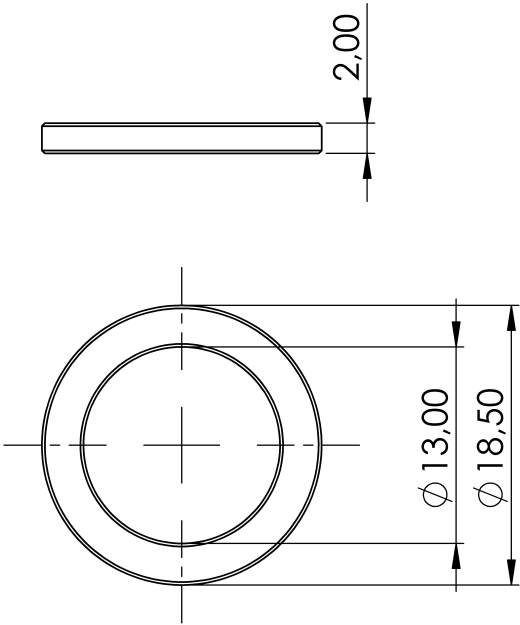
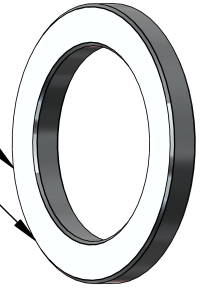


GASKET 18.5x13x2

Use for leaktightness at high pressure hoses inlets and outlets. Before tighten hoses do not forget put gasket inlets and outlets of high pressure hoses.



POS.NO.26_1
GASKET



SEE FIGURE 1.1 FOR INSTALLATION, CONNECTION BETWEEN MANIFOLD AND CYLINDERS PROVIDED WITH HIGH PRESSURE HOSES USE GASKET BEFORE TIGHTEN HIGH PRESSURE HOSES.

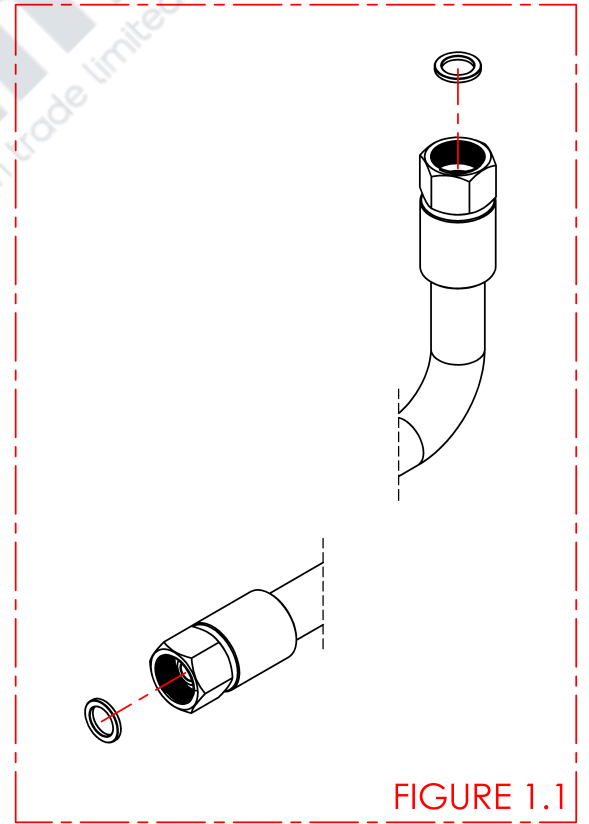



FIGURE 1.1

NOTE: ALL DIMENSIONS ARE GIVEN AS MILLIMETERS

DRAWING NO:	POS. NO. 26_1	PROUDCT NO: AL20-40085	DATASHEET: AL20-40085Rev00	PAGE A4
DESIGNED BY: ALİ ARMAĞAN	CHEKED BY: ÇAĞLAR LATİFOĞLU	APPROVED BY: ERDİNÇ LATİFOĞLU	DATE: 23/10/2020	SCALE: 2:1
		PROJECT / PROODUCT: 3-WAY CHECK VALVE		
		WEIGHT: -	METARIAL: -	REVISION: DEC20-Rev00