



**almar**  
foreign trade limited company

# RoLP Sounder

Datasheet Version 1.1



Output: 102dB(A)

32 tones, 2 stages

IP rating: IP54/IP65

Available voltages: 9-28Vdc/24Vac

Audio visual  
signalling



Tel: +44(0)1252 725257

Fax: +44(0)1252 727627

© 2018/19 LGM Products Ltd.

Email: [sales@lgmproducts.com](mailto:sales@lgmproducts.com)

Web: [www.lgmproducts.com](http://www.lgmproducts.com)

ISO 9001:2015 certified

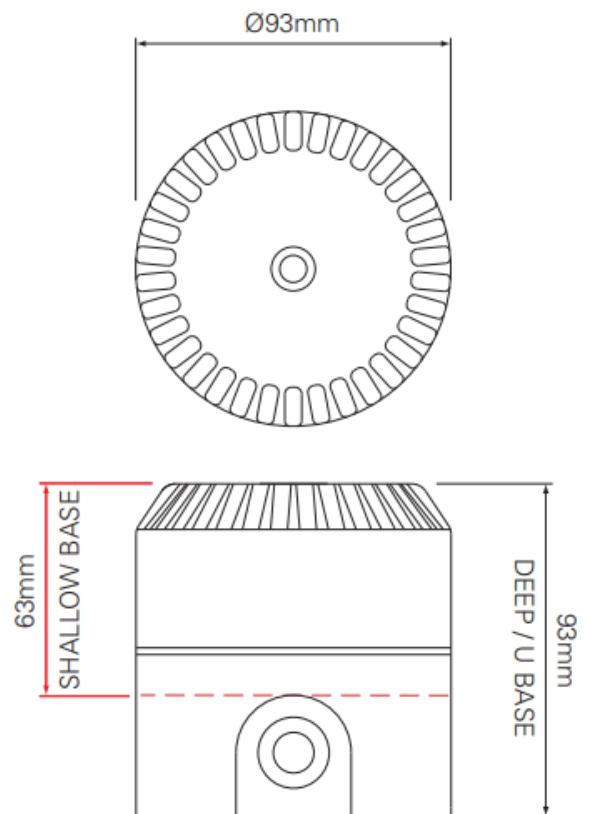
Address: LGM Products Ltd, Unit 15 Riverside Industrial Park, Farnham, Surrey, GU9 7UG, United Kingdom.



<b>Sound output</b>	102dB(A)
<b>Volume control</b>	10dB
<b>Alarm tones</b>	32
<b>Alarm stages</b>	2
<b>Current</b>	12mA
<b>IP rating</b>	IP54(shallow) IP65(deep)
<b>Unit weight</b>	0.25kg
<b>Temperature range</b>	-25°C to +70°C
<b>IP Rating</b>	IP54(shallow base), IP65(deep base)
<b>Body material</b>	ABS
<b>Unit colour</b>	Red/White
<b>Approvals</b>	VDS LPCB EN54-3:2001+A1:2002+A2:2006

**Part Codes**

ROLP/SV/R/S/3	RoLP, (Roshni Low Profile) Shallow Base,
ROLP/SV/W/S/3	RoLP, (Roshni Low Profile) Shallow Base,
ROLP/SV/R/D/3	RoLP, (Roshni Low Profile) Deep Base, Red
ROLP/SV/W/D/3	RoLP, (Roshni Low Profile) Deep Base,
ROLP/SV/R/U	RoLP, (Roshni Low Profile) U - Base, Red
ROLP/SV/W/U	RoLP, (Roshni Low Profile) U - Base,
ROLP/SV/R/S	RoLP, (Roshni Low Profile) Shallow, Red



110vac/230vac variant with powered base also available